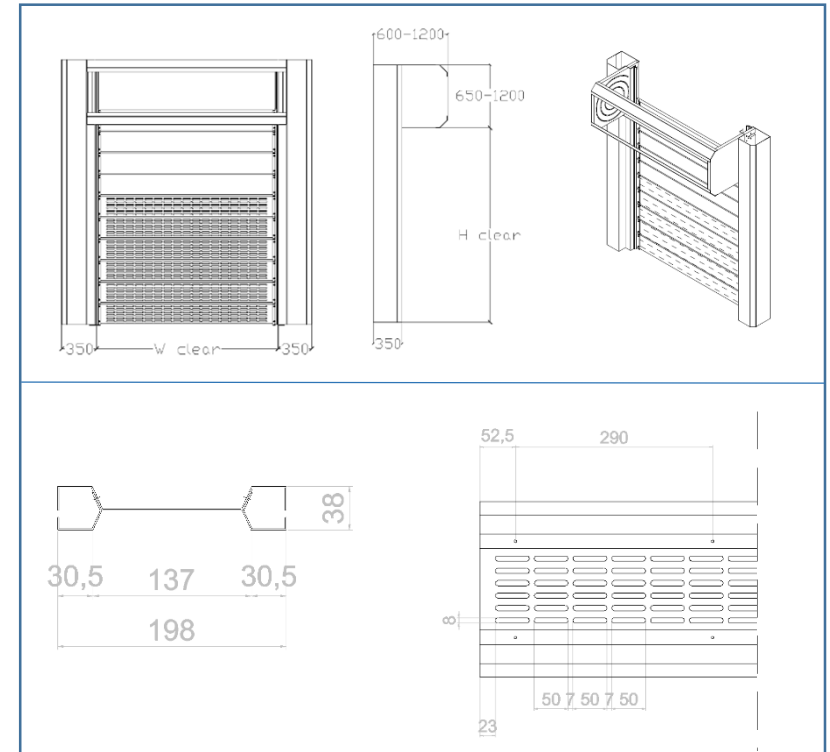


Technical Data Sheet ThermicRoll® Spiral Door AIR FLOW

APPLICATIONS	Indoor / Outdoor		
MAXIMUM SPEEDS	Opening	Up to	2.0 m/s
	Closing		0.5 m/s
MAXIMUM DIMENSIONS	Width	6000 mm	
	Height	5000 mm	
OVERALL DIMENSIONS	Side	350 mm	
	Top	H < 3700	650 mm
		3700 < H < 5000	800 mm
		H > 5000	1000 mm
MANTLE	Galvanized steel	Thickness	12/10
STRUCTURE	Galvanized steel		
STRUCTURE PROTECTION	Galvanized z170	Optional	
SPIRAL WRAP AND SIDE LEADS	high-density polyethylene	PE HD 500,000	Patented
CONTROL PANEL	Inverter 380 v	Automatic operating logic and management of all the safeties in low voltage. High capacity separate power supply 24 v	
CONTROL PANEL DIMENSIONS	300 x 400 x 150 (mm)		
POWER SUPPLY	400 V	Frequency	50 / 60 Hz
ENGINE POSITION	Right/left		
SAFETY PHOTOCELL	IP 67	22 rays up to h=2500mm	in accordance with standard: UNI EN 13241 - 1
SAFETY EDGE	Wireless	Optional	
AUTOMATIC EMERGENCY OPENING	Manual release of the counterweigh	Panel's area ≤ 7 m ²	
PERMEABILITY	25 % of the panel's area		



OPTIONAL

PANELS	Powder Painting	
ACCESSORIES	Radar	Flashing
	Magnetic detector	Numeric keypad
	Key switch	Light Tower



ROLLTORE SRL

Viale Artigianale, 5
VEZZA D'ALBA (CN)
+39 0173 658242

www.thermicroll.com
info@thermicroll.com