

DYNAMICROLL® FOOD INOX

DESCRIPTION

DynamicRoll® **FOOD INOX** is a selfrepairing roll up door, with specific features to satisfy all Food process requirements.

Designed with special care to hygiene. This door has Food certifications in several countries. Characterized by Stainless Steel frame and designed to avoid the collecting of liquid, dust or any impurity on the frame, this door is washable in all parts respecting the hygienic restrictions of the field. Its speed will let the door maintain the different characteristics of the environment they are located in.

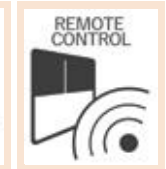
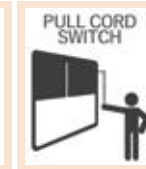
ADVANTAGES

- ✓ Self- repairing
- ✓ Rapid
- ✓ Sealing
- ✓ Noiseless
- ✓ No rigid elements inside the curtain for 100% safety
- ✓ Plug & play (easy to install)
- ✓ Low maintenance
- ✓ Energy savings
- ✓ Washable

APPLICATION

Roll up door ideal for:

- ✓ Food industry
- ✓ Large retailers
- ✓ Chemical
- ✓ Pharmaceutical
- ✓ General industry
- ✓ Agriculture



EN13241/CE

Standard	Rif.	Test acc.	Results
Water permeability	EN 12425	EN 12489	Class 1
Wind load	EN 12424	EN 12444	Class 2
Wind permeability	EN 12426	EN 12427	Class 1
Safe openings	EN 12453	EN 12445	✓
Mechanical resistance	EN 12604	EN 12605	✓
Unintended movements	EN 12604	EN 12605	✓
Thermal transmittance	EN 12428	EN 12428	6,02 W/m²K
Performance (cycles)	EN 12604	EN 12605	1.000.000

VALUES CAN CHANGE DEPENDING ON DOOR DIMENSIONS

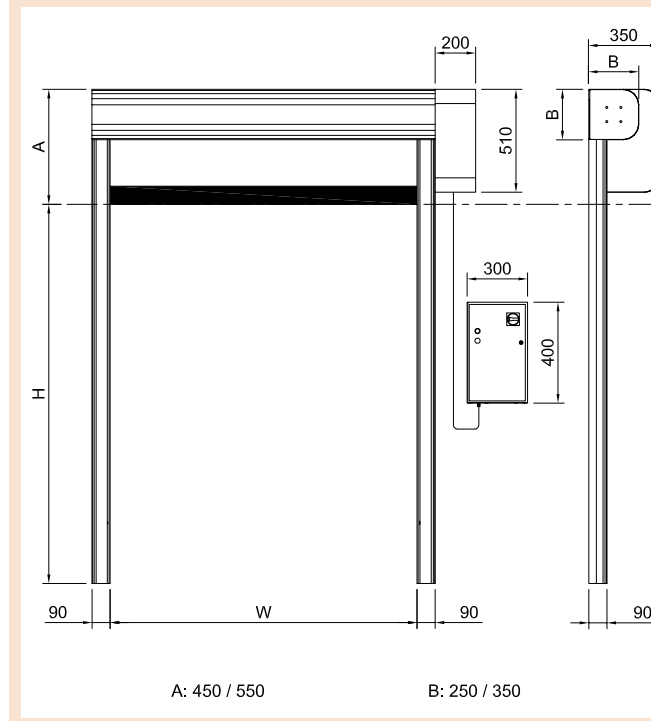
FEATURES	
Maximum dimensions	W 6500 mm x H 6500 mm
Speed	Max opening speed up to 2,5 m/s
	Closing speed 0,8 m/s
Wind resistance	3000 x 3000 Class 3 5000 x 5000 Class 2
Structure	Not self-supporting
Frame / motor cover hood	Standard: Stainless Steel 441/304
	Optional: Stainless Steel 316
Curtain	Standard: PVC curtain 1300 gr/m ² , 6 W/m ² K
	Optional: Insulated 7 mm, 3.3 W/m ² k Translucent 35/40% FDA (white) Antistatic
Sliding system	Patented sliding system with high density Polyethylene self-lubricant equipped of sliding zipper directly on curtain.
Control panel	Standard: PVC box IP65 (300 x 400 x 150 mm)
	Optional: Stainless Steel Powder coated steel box IP54 (300 x 500 x 150 mm)
	Inverter system 50/60 Hz with absolute encoder
	Power supply 1-ph, 230V max 16A
	Power supply 3-ph, 400V max 10A
	Power supply 3-ph, 230V max 16A
	Star/Stop Button
	2 free contacts (door open/ closed/ allarme)
	Automatic/ Manual Interlocking between 2 doors
	IP rating for motor and control panel IP54
Wiring	Plug and Play system IP65

FEATURES	
Safeties	Standard: Photocells set IP65 Anti-jam sensor reverse
	Optional: WiFi safety edge IP65 Multi ray light curtain barrier H2500 IP67
Emergency opening	Standard: Hand crank
	Optional: Chain system Counterweight system UPS Battery
Advising operative temperature	Operating till - 30° C * with heating kit added - Not apt to be installed in negative/positive temperature
Cycles (EN 12604)	1.000.000 (tested)

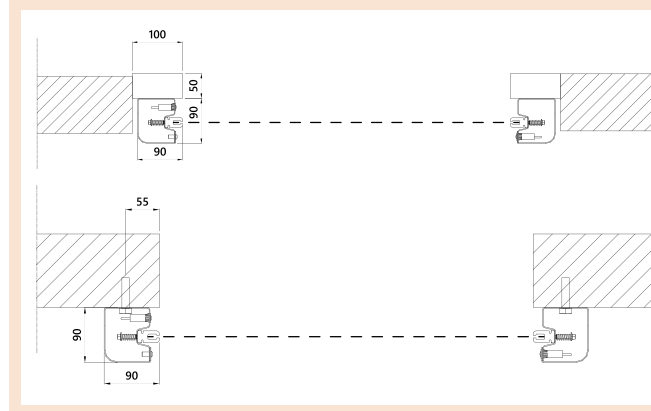
SLIDING SYSTEM/ SELF-REPAIRING



DOOR SPACE REQUIREMENTS



FIXING DETAILS



AVAILABLE COLOURS

Simil RAL 9010	Simil RAL 2004	Simil RAL 7042	Simil RAL 5012
Simil RAL 1015	Simil RAL 3002	Simil RAL 7037	Simil RAL 5002
Simil RAL 1003	Simil RAL 6026	Simil RAL 7035	

*BMP Europe S.r.l. reserves the right to change the characteristics of its products or components without prior notice, depending on its policy of continuous product development. The doors shown are example applications. No part or excerpt may be reproduced without our prior permission.

